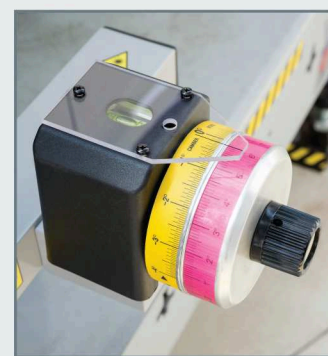
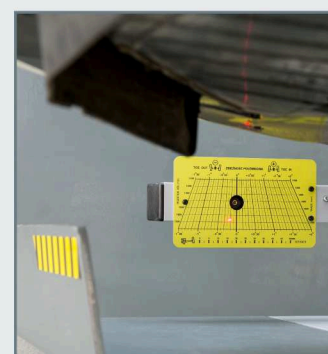
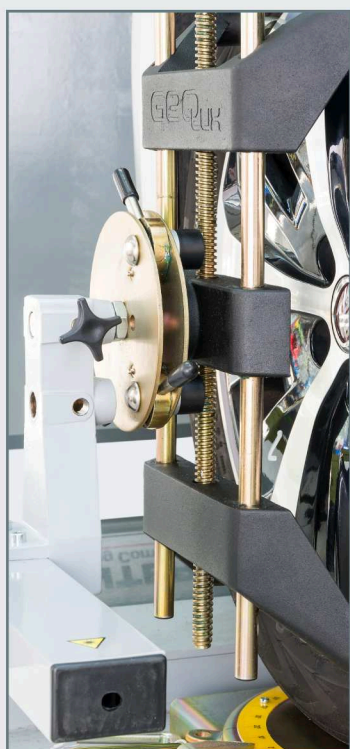
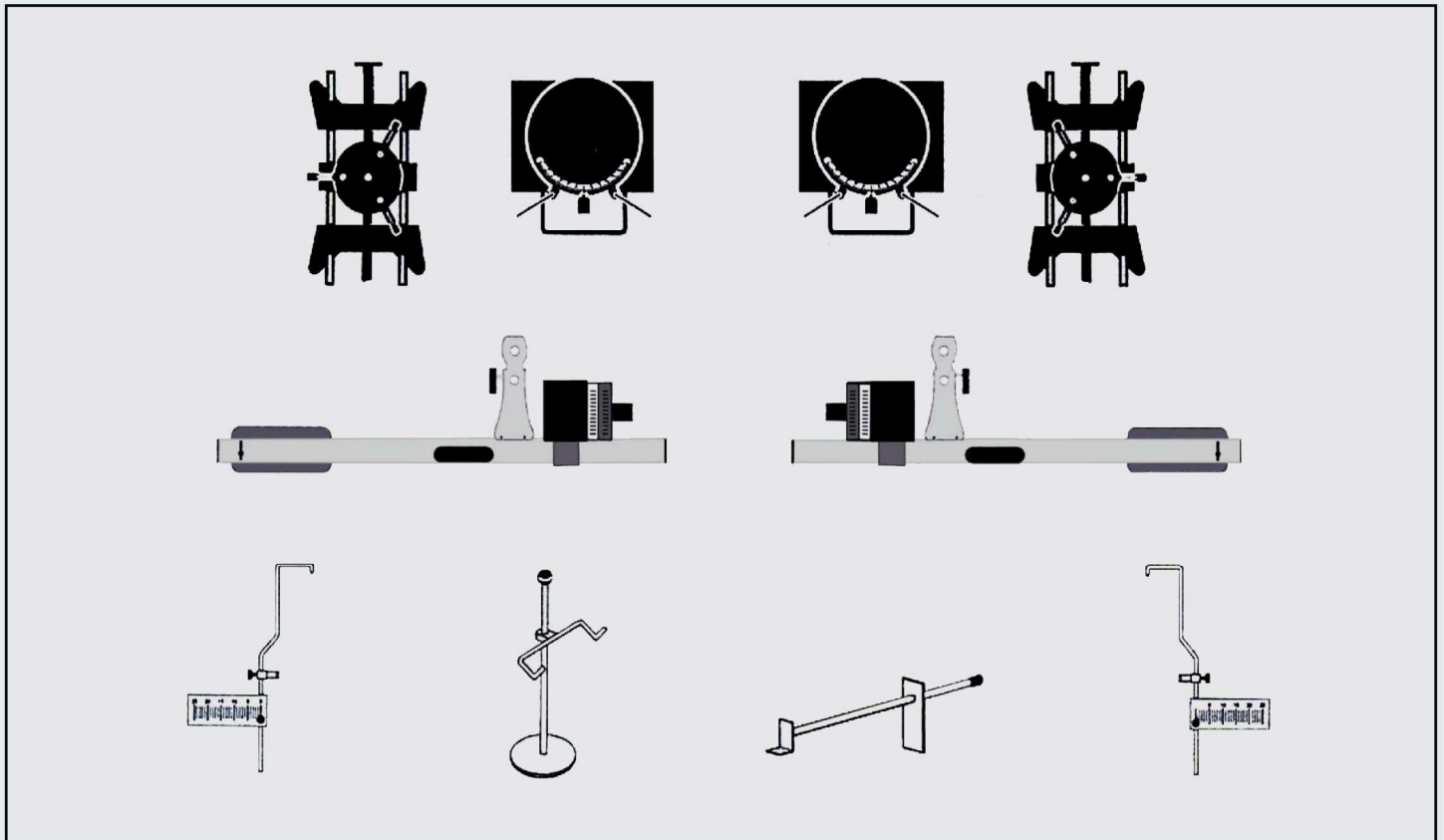


# GEOLUX

## 4 wheel laser alignment





## **GEOLUX** is delivered as a complete system

GeoLux is a compact, easy to use 4 wheel laser aligner powered by battery pack, using normal batteries AA size.

Each projector emits two laser beams, one for Toe and one rear beam, which is used for centering of steering wheel and rear wheel alignment.

Camber, Caster and KPI is measured by very accurate spirit level. The readings are taken on precise scales. Wheel clamps with run-out compensators increases measurements accuracy.

With GeoLux it is possible to measure total toe, individual (left, right) toe, Camber and centering of the steering wheel simultaneously in one operation.

Caster and KPI are measured by making Caster swing of 20 or 10 deg. using scales on a turntables.

### **Ranges:**

- Front and rear total toe: -15 to +30 mm
- Camber:  $-4^{\circ}$  to  $+8^{\circ}$
- Caster, KPI:  $-2^{\circ}$  to  $15^{\circ}$
- Turning angle:  $0^{\circ}$  to  $\pm 60^{\circ}$
- Ream size: 12" to 20"

